

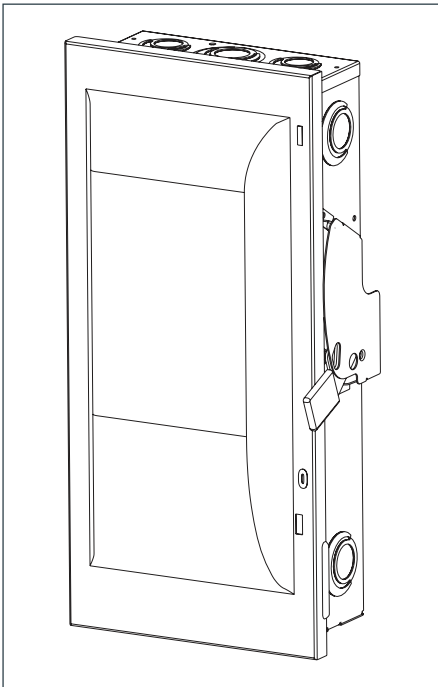
SIEMENS

Data Sheet

VBI General Duty Safety Switch

100A, 240V, Type 1

usa.siemens.com/switches



Standards and Ratings

- UL Listed under file #E4776
- Meets UL98 for switches and UL 50 for enclosures
- Meets NEMA Standard KS-1 for enclosed switches
- Meets NEC wire bending space requirements
- Rated 10,000 AIC with Class H fuses or 100,000 AIC with Class R fuses
- Suitable for use as service entrance equipment
- Meets 2020 NEC 230.62 with addition of line side barrier kit

Features

- Quick-make and break switching action
- Double break visible blade design
- Highly visible ON/OFF indication
- Rugged installer friendly enclosure design
- Modular design allows quick and easy replacement of parts
- Single cover interlock

Product Specifications

General Duty 100A, 240V, Type 1

General Information

| Catalog Number | Description | Shipping Weight (lbs.) |
|---------------------|-----------------------------|------------------------|
| GF223N ¹ | 2 Pole, 3 Wire Fusible | 23 |
| GF323N | 3 Pole, 4 Wire, Fusible | 25 |
| GNF323 | 3 Pole, 3 Wire, Non-Fusible | 23 |

Horsepower Ratings ²

| Catalog Number | 1 Phase, 3 Wire, 240V AC | | 3 Phase, 3 Wire, 240V AC | | 250V DC |
|----------------|--------------------------|-----|--------------------------|-----|---------|
| | Std | Max | Std | Max | |
| GF223N | 7 1/2 | 15 | 15 | 30 | 20 |
| GF323N | 7 1/2 | 15 | 15 | 30 | 20 |
| GNF323 | — | 15 | — | 30 | 20 |

Mechanical Lug Wire Range (60/75°C, Cu/Al)

| Description | Wire Range |
|-------------|---------------------|
| Line, Load | #12-1/0 AWG (Al) or |
| Neutral | #14-1/0 AWG (Cu) |
| Ground | #14-4 AWG |

Accessories

| Catalog Number | Description |
|---------------------|---|
| HG61234 | Equipment Ground Lug Kit |
| HN623 | Neutral Kit |
| HR63 | R Fuse Clip Kit (3 fuse clips per kit) (GF223N, GF323N) |
| HSK23B ³ | Line Side Barrier Kit |

Replacement Parts

| Catalog Number | Description |
|----------------|---|
| HFB63 | Fusible Line Side Replacement Base (GF223N, GF323N) |
| HBB63 | Fusible Load Side Replacement Base (GF223N, GF323N) |
| HNB623 | Non-Fusible Replacement Base (GNF323) |
| GH223 | Replacement Handle/Handle Guard |
| HM6123 | Replacement Mechanism |
| HL63 | Replacement Lugs (3 lugs per kit) |

¹ These switches are UL Listed for application on grounded B phase systems.

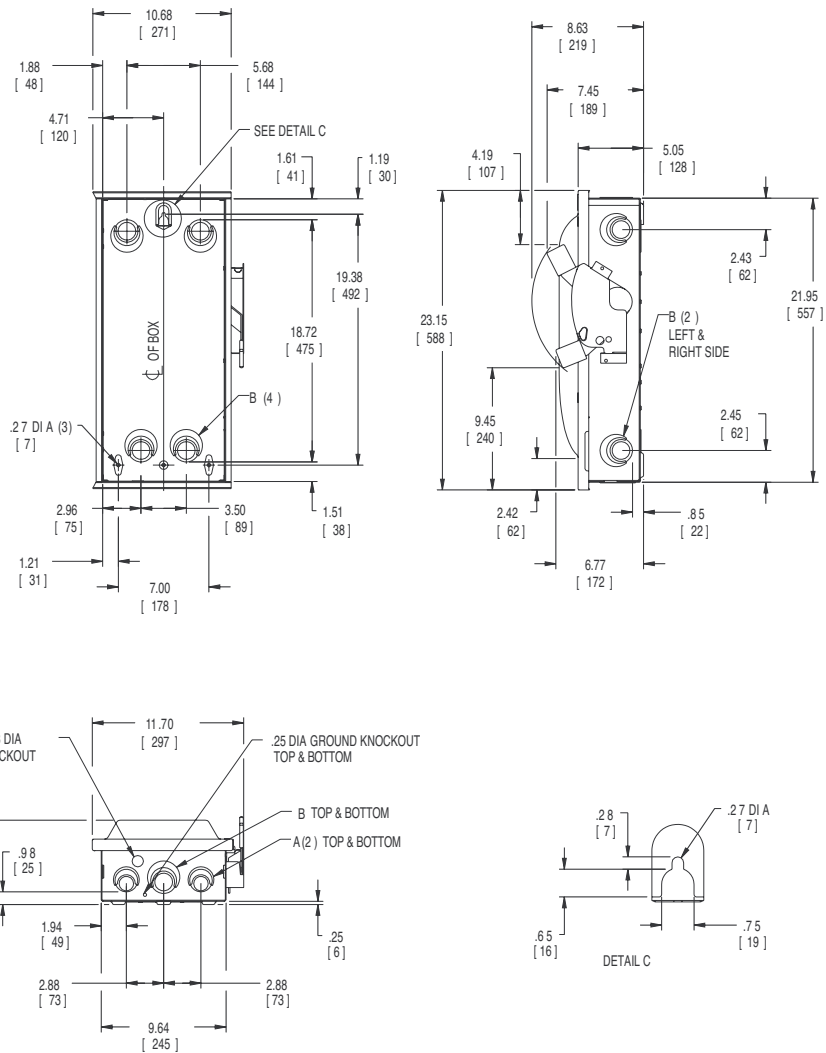
² Dual horsepower ratings: Std - applies when non-time delay fuses are installed.

Max - applies when time-delay fuses are installed

³ Internal shield which meets 2020 NEC 230.62 line side barrier requirements for service entrance equipment.

Dimension Drawings

General Duty 100A, 240V, Type 1



Dimensions shown in inches and millimeters (").
Dimension shown accurate to $\pm \frac{1}{8}$ inch.

| KNOCKOUT CODE | CONDUIT SIZE | | | |
|----------------|--------------|------|------|------|
| | 0.75 | 1.00 | 1.25 | 1.50 |
| A (Tangential) | 0.75 | 1.00 | 1.25 | 1.50 |
| B (Tangential) | 1.00 | 1.25 | 1.50 | 2.00 |

| | LINE SIDE WIRE BEND | LOAD SIDE WIRE BEND |
|-----------|---------------------|---------------------|
| Fused | 6.07 (154) | 8.10 (206) |
| Non-Fused | 6.07 (154) | 11.46 (291) |

Enclosure: Cold Rolled Steel
.054 Thick (17 Gauge)
Finish: ANSI Grey #61 Paint

Published by
Siemens Industry, Inc. 2021.

Siemens Industry, Inc.
3617 Parkway Ln
Peachtree Corners, GA 30092

For more information, please contact our Customer Support Center.
Phone: 1-800-241-4453
E-mail: info.us@siemens.com

usa.siemens.com/switches

Order No.: SSFL-GF1N1-0521
Printed in U.S.A.
© 2021 Siemens Industry, Inc.

The technical data presented in this document is based on an actual case or on as-designed parameters, and therefore should not be relied upon for any specific application and does not constitute a performance guarantee for any projects. Actual results are dependent on variable conditions. Accordingly, Siemens does not make representations, warranties, or assurances as to the accuracy, currency or completeness of the content contained herein. If requested, we will provide specific technical data or specifications with respect to any customer's particular applications. Our company is constantly involved in engineering and development. For that reason, we reserve the right to modify, at any time, the technology and product specifications contained herein.